

# SV-200 • SV-250 Selectable Ice/Beverage Dispensers with Ice Crusher



**Servend.**



Selectable SV-250 Ice/Beverage Dispenser with S500 Ice Machine

Selectable SV-200 Ice/Beverage Dispenser with S500 Ice Machine



Servend's patented icepic™ feature is the industry's only built-in ice crusher providing a selection of crushed or cubed ice from a single ice maker/ice-beverage dispenser combination.

- Up to 10 beverage valves in a 30" wide ice/beverage dispenser.
- Increased beverage cooling efficiency vs. nugget-style ice.
- Servend's patented Flex manifold makes carbonated or non-carbonated flavor changes possible in minutes. Great for seasonal promotions!
- 200 or 250 lbs. of ice storage.



ISO 9001:2000  
Quality System Certified

**Leader in Ice & Beverage Dispensers**

Countertop Ice/Bev • Drop-in • Countertop Electric Undercounter • Beverage Towers • Ice Chests

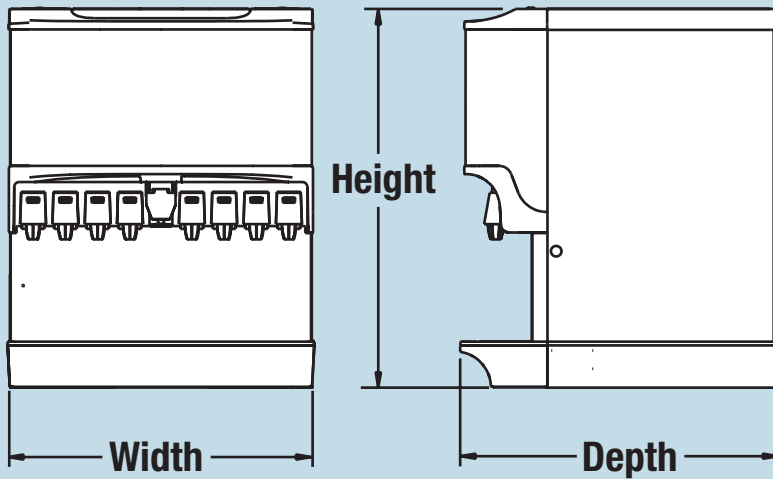


# SV-200 • SV-250 Selectable Ice/Beverage Dispensers with icepic™ Ice Crusher

## Specifications

**Standard Features**  
**Approximate Shipping Weights**  
**Approximate Countertop Weight (w/o ice)**  
**Ice Storage Capacity**  
**Electrical Requirements**  
**Drain**  
**Number of Valves**  
**Ice Machine Compatibility**  
**Manifold**  
**Options**

SV-200	SV-250
Lighted merchandiser, icepic graphics, key switch, leg kit, and drain kit.	
304 lbs. / 138 kgs.	335 lbs. / 152 kgs.
235 lbs. / 107 kgs.	260 lbs. / 118 kgs.
Up to 200 lbs. / 91 kgs.	Up to 250 lbs. / 114 kgs.
Dispenser: 120V/60Hz/2.8FLA.	
Single 0.75" (1.91 cm) PVC (N.P.T.) drain fitting extends from drain pan. Units can be drained from the bottom or back of unit.	
8 or 10	
Manual fill or top-mount with compatible ice machines. Contact MBE for adapter kit requirements for top-mounted ice machine applications.	
8 valve 3-1-1-1-2 / 10 valve 3-1-2-1-3	
Flomatic beverage valves. Both Flomatic 424 and 464 available in sanitary lever, push button, portion control, and autofill valve. Other valves available. Contact MBE for details. Other options: regulators, installation kits, and side splash panels.	



Unit	Width	Depth	Height
SV-200	30.00" 76.20 cm	31.13" 79.07 cm	34.88" 88.60 cm
SV-250	30.00" 76.20 cm	31.13" 79.07 cm	40.88" 103.80 cm

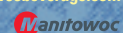
\*Height dimension without full lid.  
Add 0.50" (1.27 cm) for full lid.



*We are committed to protecting the environment and its resources. For up-to-date product data always view an electronic version on our web site.*



MANITOWOC BEVERAGE  
 2100 Future Drive  
 Sellersburg, IN 47172, USA  
 Ph: 812-246-7000 • Fax: 812-246-7024  
 Visit us online at [www.manitowocbeverage.com](http://www.manitowocbeverage.com)



©2008 Servend G/08 Continuing product improvement may necessitate change of specifications without notice. 3960C